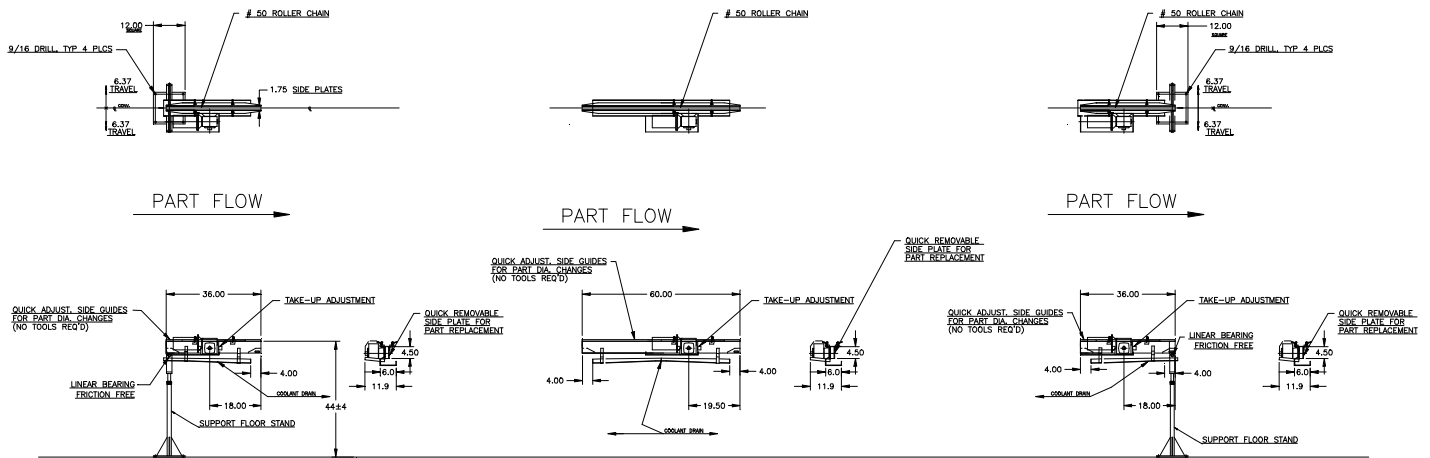


FEEDALL Model 1650-50RC-36 Entrance Conveyor
FEEDALL Model 1650-50RC-60 Intermediate Conveyor
FEEDALL Model 1650-50RC-36 Exit Conveyor



- APPLICATION:** Convey Shock Absorber Shafts between two Induction Heat Treaters.
BELT WIDTH: 1" Wide Silent Chain
DRIVE: 1/4 HP/AC Motor w/Variable Frequency Controller
PARTS FED (SIZE): Shock Absorber Shafts (0.492"-983"Ø x 7.42"-20.47" Lg.)
FEED RATE: 1-50 feet/minute
MACHINE FED: Induction Hardener