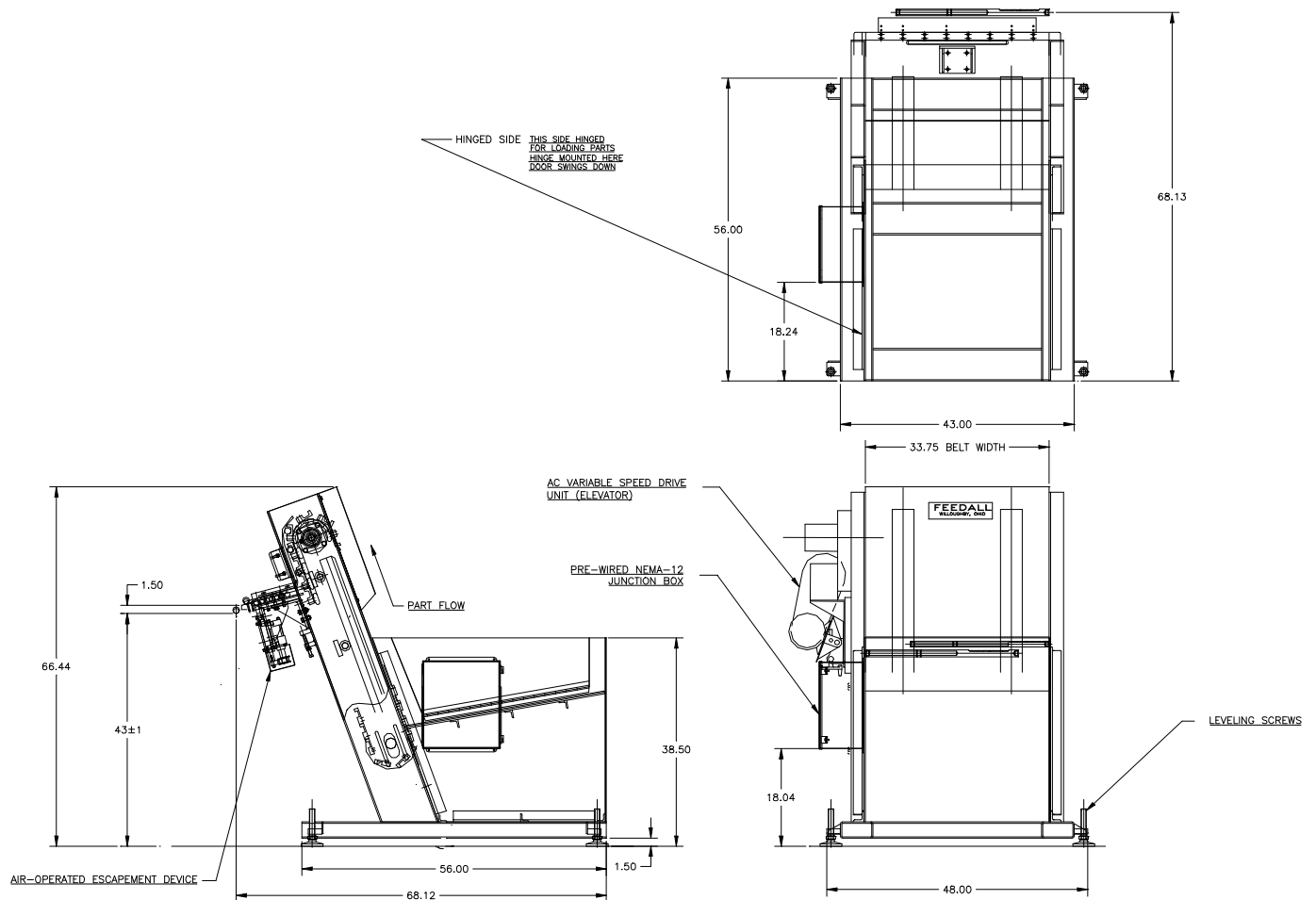


FEEDALL Model 2233 Elevating Hopper Feeder



- APPLICATION:** Feed from a random loaded, floor mounted hopper. The Steering Racks will be elevated from the hopper via a cleated belt and deposited into an accumulating chute. An air operated escapement device will load one part at a time onto customer supplied rear mounted horizontal conveyor.
- BELT WIDTH:** 33" Wide Elevating Belt
- DRIVE:** 3/4 HP/AC Motor
- PARTS FED (SIZE):** Steering Racks (0.986"-1.182"Ø x 23.00"-32.00" Lg.)
- FEED RATE:** 6 Parts/Minute
- MACHINE FED:** CINCINNATI Centerless Grinder