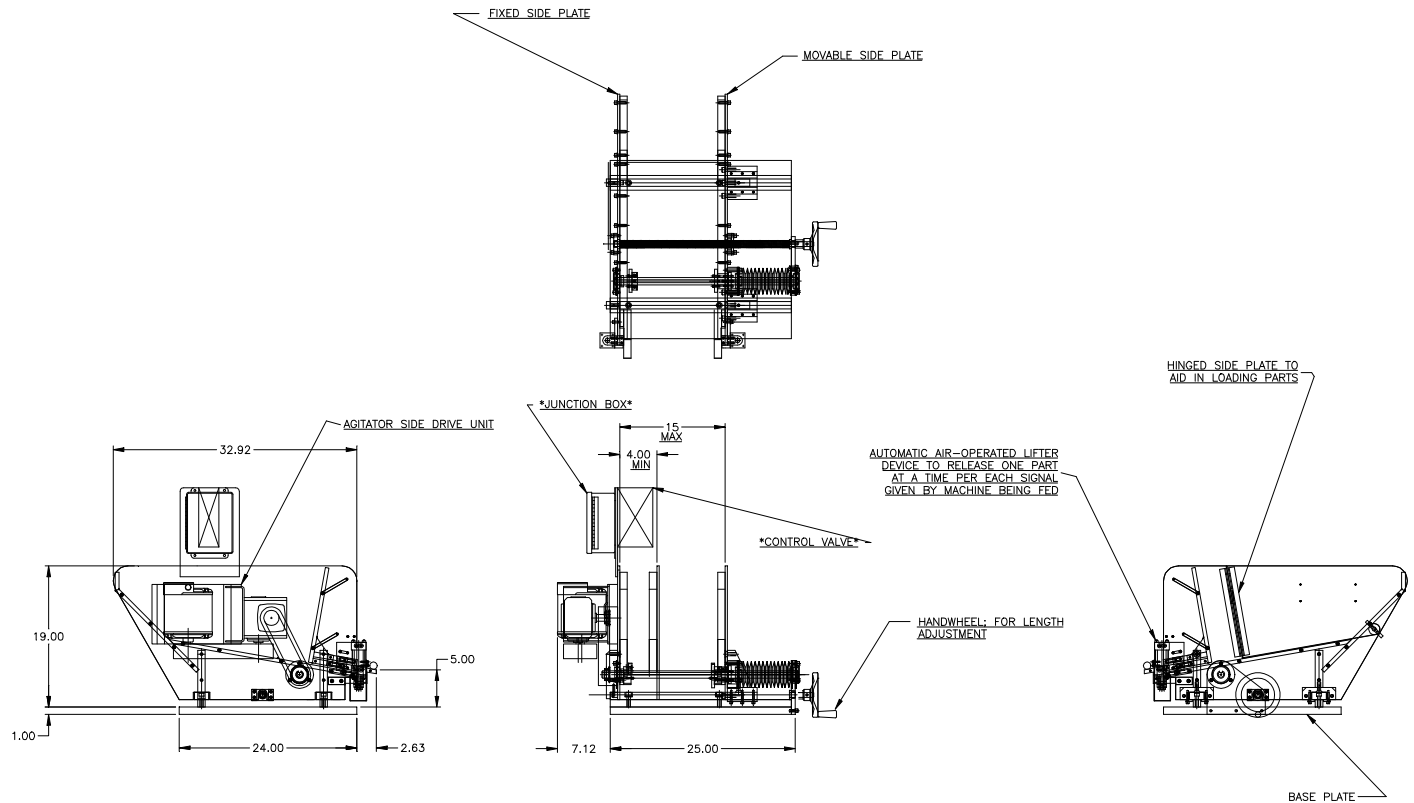


FEEDALL Model 1700-B Magazine Bar Feeder



- APPLICATION:** Feed bars from a manually loaded, floor mounted magazine. Then will be fed in a continuous stream and escaped one at a time rolling onto a customer supplied v-nest.
- WIDTH:** 4"-15" (Adjustable)
- DRIVE:** 1/2 HP/AC Motor
- PARTS FED (SIZE):** Steel Bars (26mmØ x 340mm Lg.)
- FEED RATE:** 3 Parts/Minute
- MACHINE FED:** Induction Heater