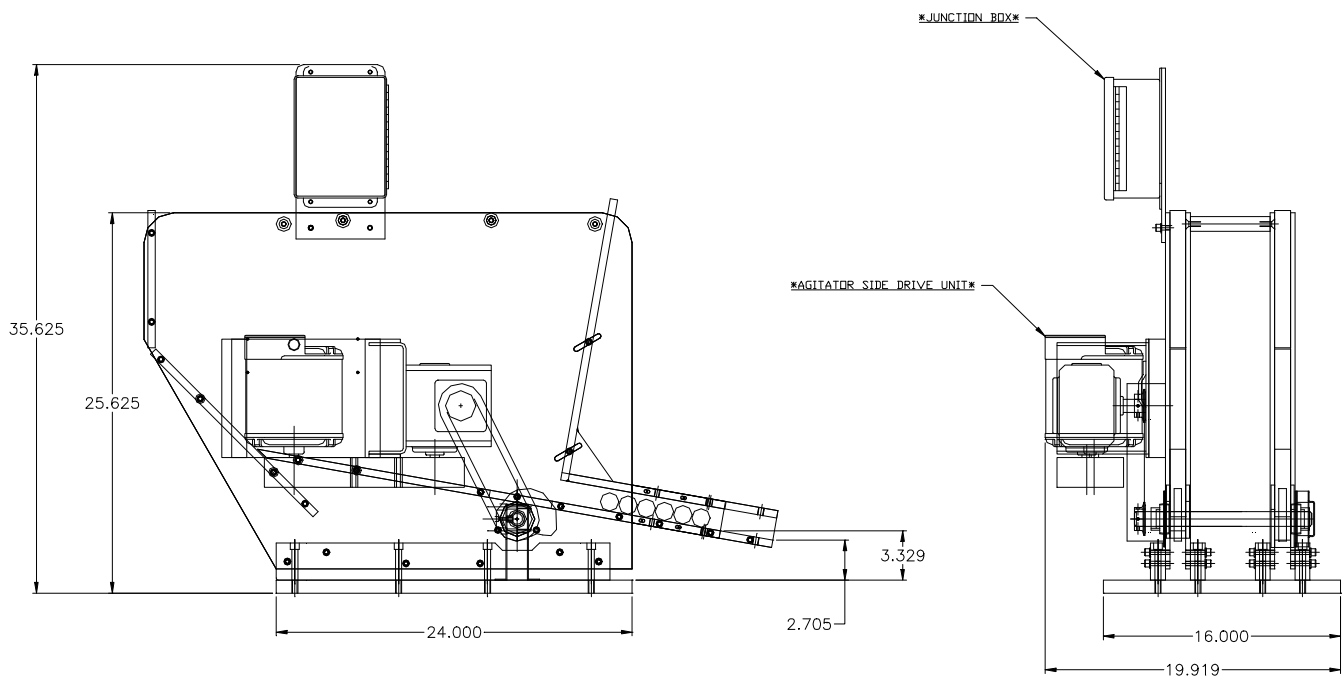
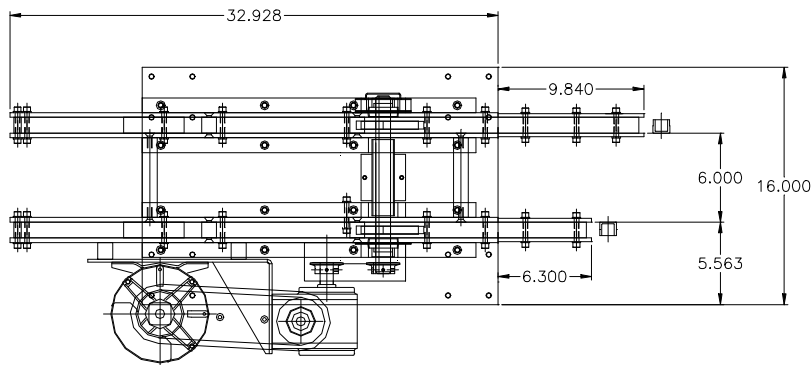


FEEDALL Model 1700-B Magazine Bar Feeder



APPLICATION: Feed from a manually loaded, floor mounted magazine with two lanes. Then the Bearing Cups will be loaded into a magazine at the top by customer and discharged in a continuous stream.

DRIVE: 1/4 HP/AC Motor

PARTS FED (SIZE): Universal Joint Bearing Cups (1.184"-1.197"Ø x 0.823"-1.037" Lg.)

FEED RATE: 1 Part/Lane Every 3 Seconds

MACHINE FED: ID Grinder