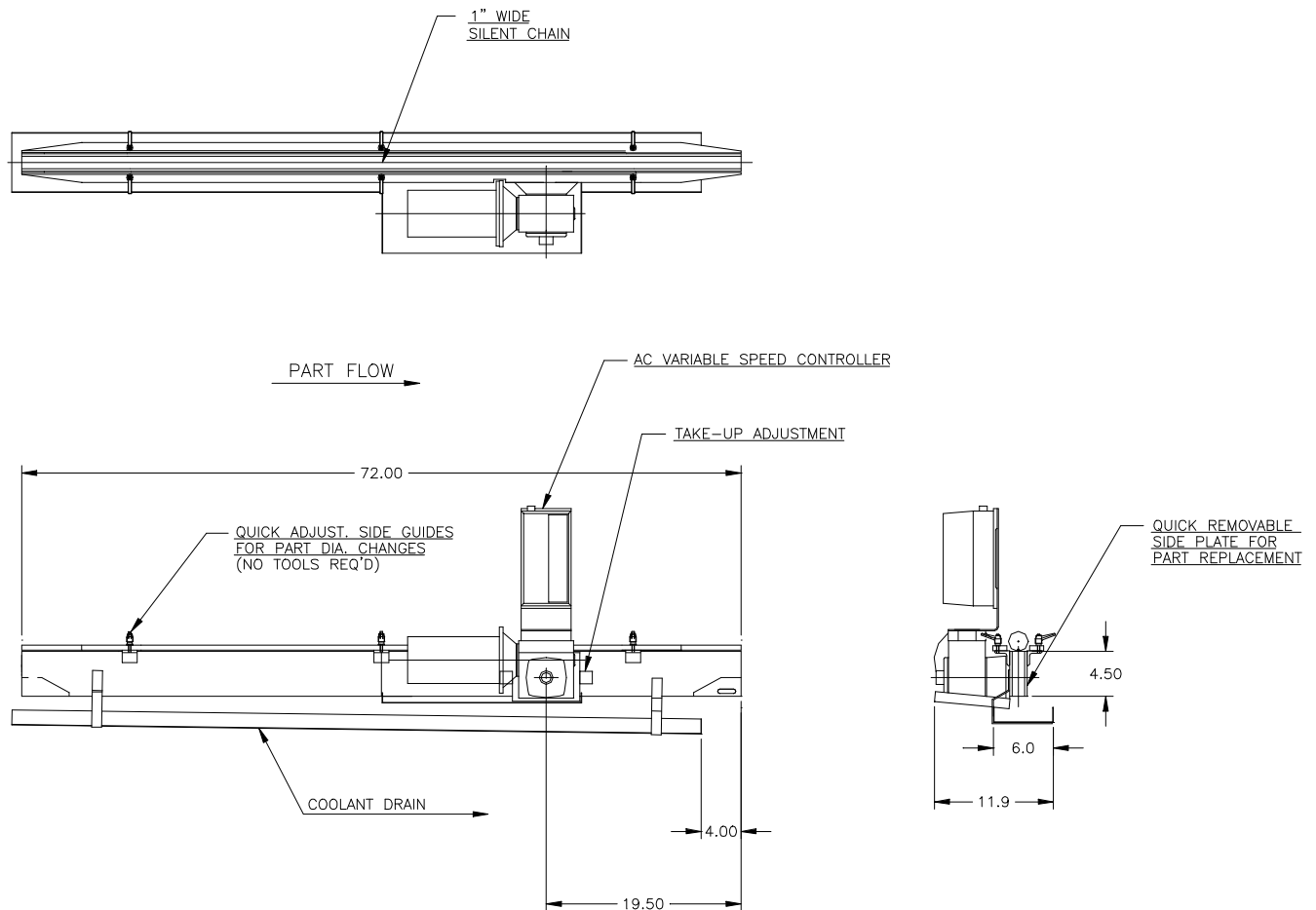


FEEDALL Model 1650-1SC-72 Entrance Conveyor



APPLICATION:	Convey Rotors to the workrest of a CINCINNATI Model 340-20 Centerless Grinder.
BELT WIDTH:	1" Wide Silent Chain
DRIVE:	1/4 HP/AC Motor w/Variable Frequency Controller
PARTS FED (SIZE):	Motor Rotors (2.00"Ø x Various Lengths)
FEED RATE:	1-50 Feet/Minute
MACHINE FED:	CINCINNATI Model 340-20 Centerless Grinder