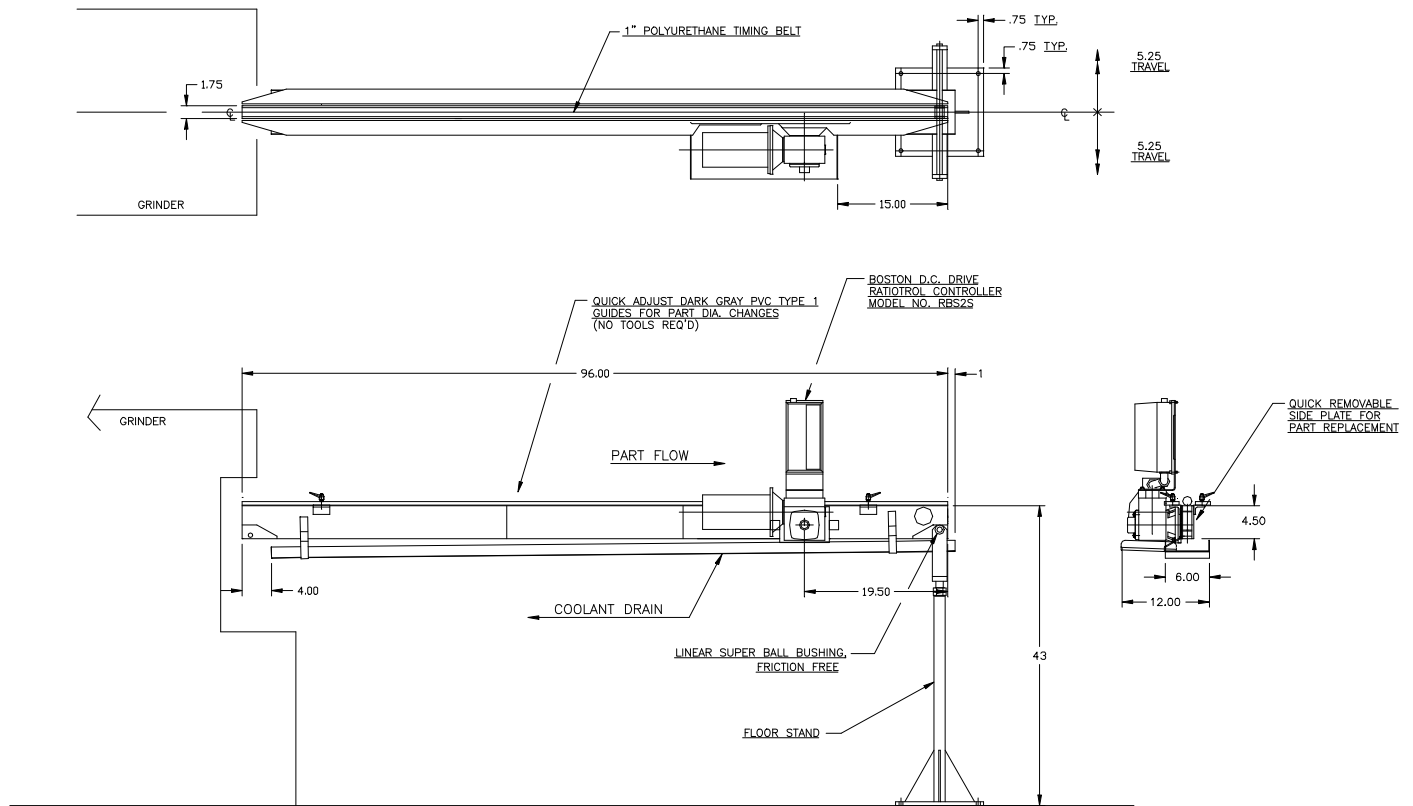


FEEDALL Model 1650-1PB-96 Exit Conveyor



- APPLICATION:** Convey Steel Shafts from the workrest of a Centerless Grinder.
- BELT WIDTH:** 1" Wide Polyurethane Timing Belt
- DRIVE:** 1/2 HP/AC Motor w/Variable Frequency Controller
- PARTS FED (SIZE):** Steel Shafts (0.563"-1.25"Ø x 6.00"-14.00" Lg.)
- FEED RATE:** 1-50 Feet/Minute
- MACHINE FED:** Centerless Grinder