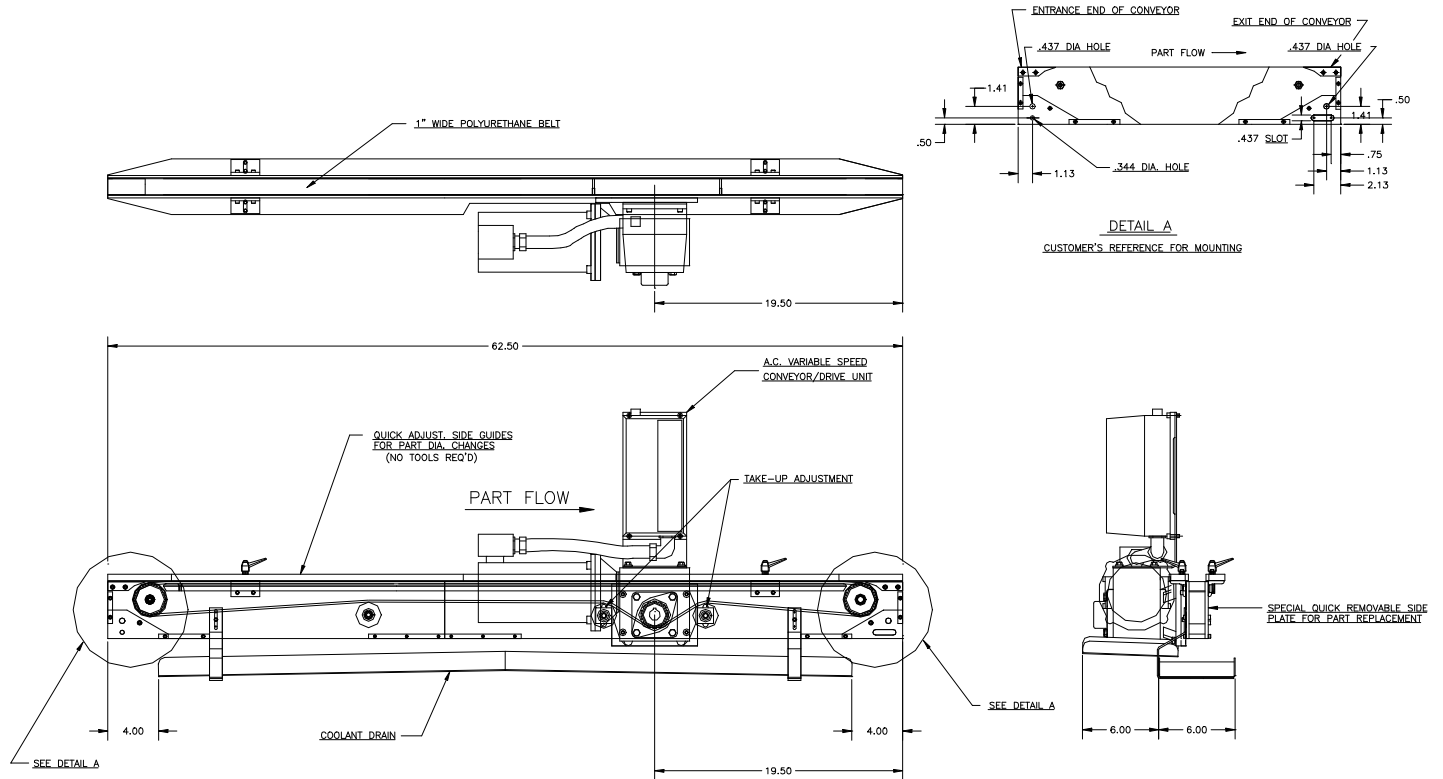


FEEDALL Model 1650-1PB-62-1/2 Intermediate Conveyor



- APPLICATION:** Convey Carbide Blanks between the workrest of two CINCINNATI 320-12 Centerless Grinders.
- BELT WIDTH:** 1" Polyurethane Timing Belt
- DRIVE:** 1/4 HP/AC Motor w/Variable Frequency Controller
- PARTS FED (SIZE):** Carbide Blanks (0.25"-1.00"Ø x 1.00"-6.00" Lg.)
- FEED RATE:** 1-50 Feet/Minute
- MACHINE FED:** CINCINNATI Model 320-12 Centerless Grinder