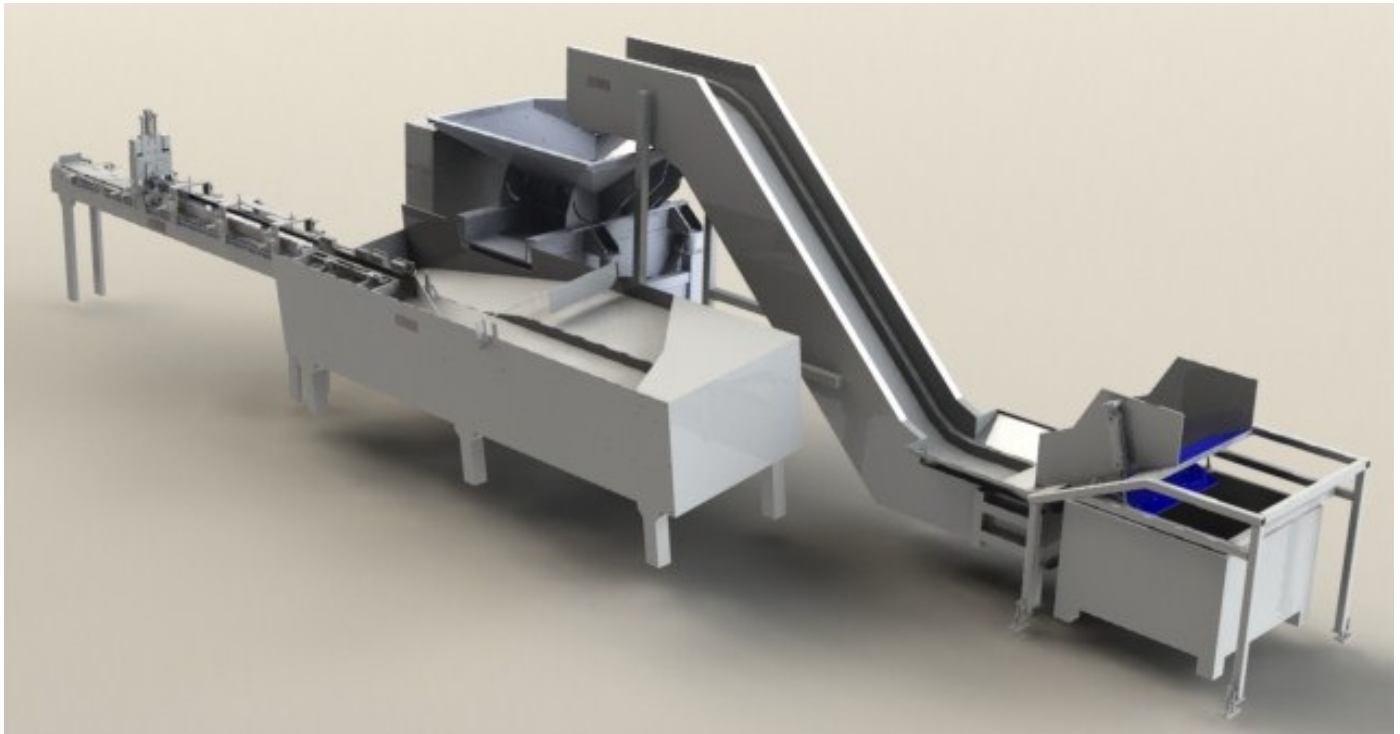


FEEDALL Model 1500 w/Bulk Loading System



APPLICATION: Feed from a random loaded Bulk Feeding System, Constant Velocity Inner and Outer Face Blanks. Bulk Feeding System will accept blanks from an existing parts washer and spill them randomly onto the Bi-Directional Orienting Conveyor. Blanks will merge from the in-feed (load) lane onto the orienting lane. Once oriented in a non-face-select, end-to-end stream, the blanks will enter the Discharge Conveyor equipped with an air-operated escapement device. The parts will be escaped one at a time into dual two pick-up stations. Once both pick-up stations have a part, the conveyor will shut off for Vision Controlled Robotic pick-up and load into Coining Press.

BULK ELEVATOR LOADER: 18" Steel Belt w/Welded Cleats Spaced on 16" Centers – 12-15 Part Hopper Capacity
3/4 HP Motor (fixed speed) - 30 Feet/Minute Belt Speed

METERING VIBRATORY HOPPER: 6,000# Capacity w/20 cu.ft. Hopper – Twin 3 HP Vibrating Motors

BI-DIRECTIONAL ORIENTING CONVEYOR: 24" PVC Belt on In-Feed Lane/18" PVC Belt on Orienting Lane –
Each Lane Driven Individually with 2 HP Motors w/Variable Frequency
Controllers

DISCHARGE CONVEYOR: 7-1/2" Table-Top Belt – 1/2 HP Brake Motor w/Variable Frequency Controller

PARTS FED: Contact Velocity Inner and Outer Race Blanks

FEED RATE: 16 parts/minute

MACHINE FED: Robot Loaded Coining Press

FEEDALL Model 1500 w/Bulk Loading System

