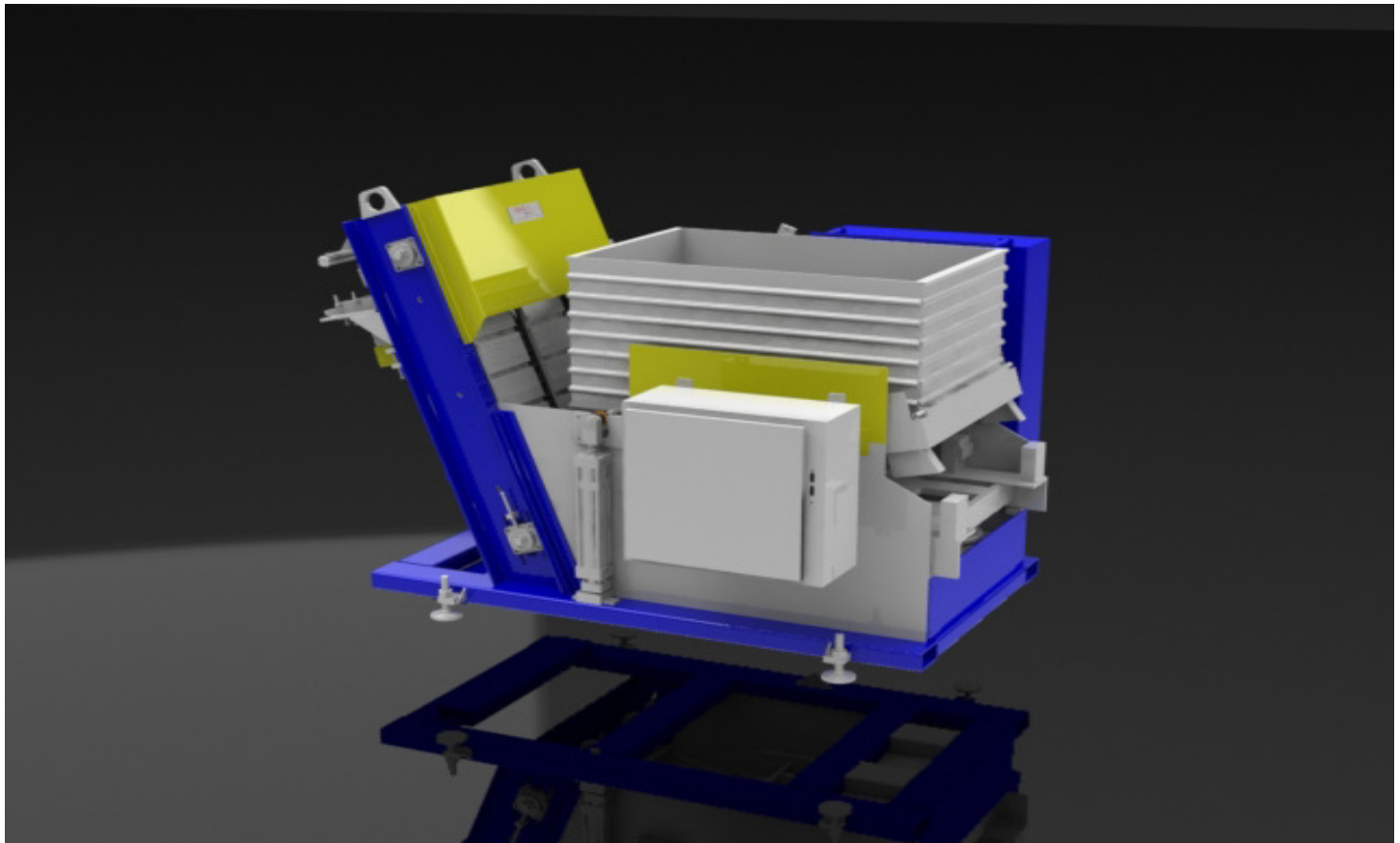


Model 2236 Elevating Hopper Feeder



- APPLICATION:** Feed from a random loaded, floor mounted hopper, Steel Bars. Bars will be loaded via Drop Bottom Gondolas into hopper via an air operated tilting stand. Once loaded, the bars will then be elevated from the hopper via a cleated belt and deposited onto a rear mounted accumulation ramp. An air operated escapement device will load one part at a time into customer supplied pusher device feeding an Induction Heater.
- BELT WIDTH:** 36" Wide Elevating Belt
- DRIVE:** 3/4 HP/AC Motor w/Variable Speed Drive and Overload Relief Clutch
- PARTS FED (SIZE):** Sheared Steel Bars (0.56"-0.94"Ø x 8"-18" Lg.)
- FEED RATE:** 10 Parts/Minute
- MACHINE FED:** INTER-POWER Induction Heater

FEEDALL Model 2236 Elevating Hopper Feeder

