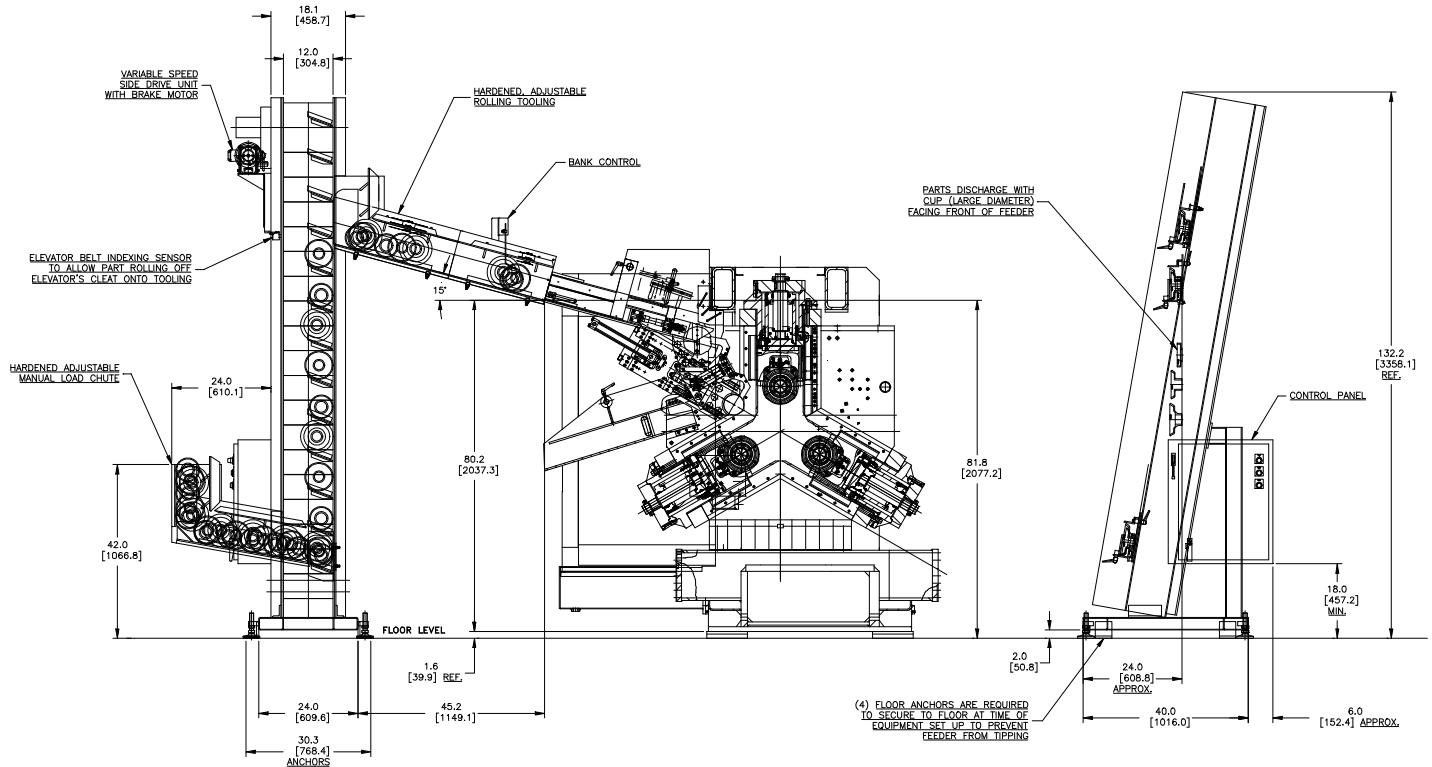


## FEEDALL Model 2500 Elevating Hopper Feeder



- APPLICATION:** Feed from a manually loaded infeed track pre-oriented parts. The Stampings will be loaded into an entrance chute, which will load a cleated, indexing elevating belt and discharge into a Flow Forma Machine
- BELT WIDTH:** 12" Wide Elevating Belt
- DRIVE:** 3/4 HP/AC Motor
- PARTS FED (SIZE):** Stampings (2.50"Ø x 1.63" Lg.)
- FEED RATE:** 2 Parts/Minute
- MACHINE FED:** Extrusion Press